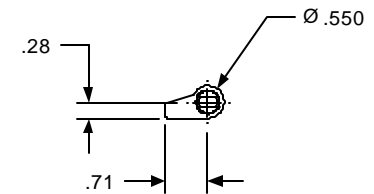
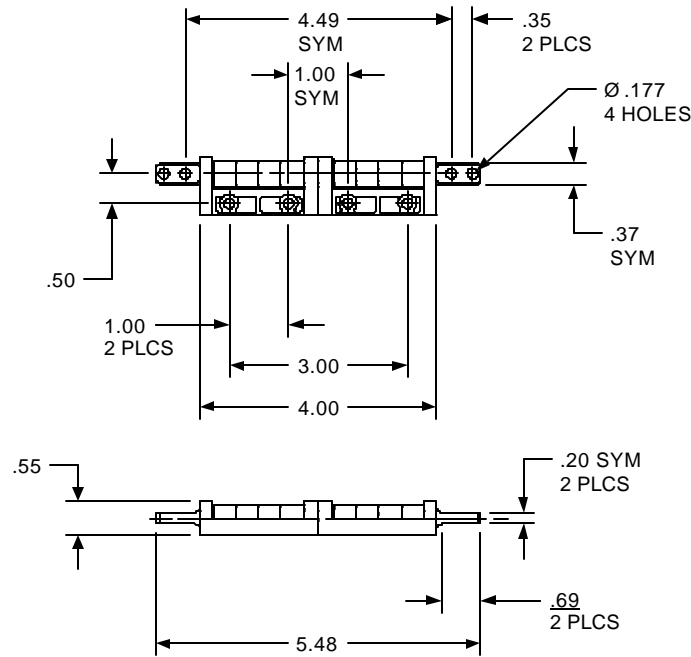
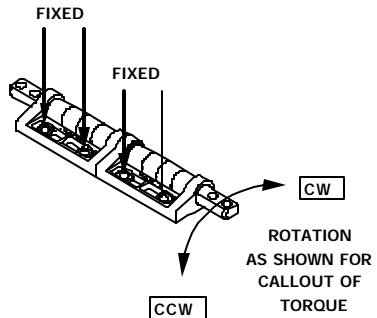


REVISION RECORD				
SYM	DESCRIPTION	BY	DATE	APPD
B	REDRAWN ON NEW FORMAT, NO CHANGES.	RMF	8/31/00	DJC



TORQUE		
GEOMETRY	CW TORQUE	CCW TORQUE
ZE-375-CF-251	60	60
ZE-375-CF-251	80	X
ZE-375-CF-251	X	80

CUSTOM TORQUE CONFIGURATIONS AVAILABLE. FOR QUOTE: [www.torqmaster.com](http://www.torqmaster.com) 1-888-41-HINGE

USED ON	SOLID	REV	TOLERANCES	DRAWN BY	DATE	ENGLISH	Torq Master, Inc. Stamford, CT USA							
STANDARD	251	0.0	ENGLISH	RA	5/9/97									
NEXT ASSY	NONE		.XX ±.015 in .XXX ±.005 in .XXXX ±.0002 in	CHECKED BY	DATE	MATERIAL	N/A							
QUANTITY				DJC	5/9/97	TITLE								
PER ASSY, pcs	-					HINGE INTERFACE								
TOTAL, pcs	-					SIZE	ZE 375 CF 251							
THIS INFORMATION IS PROPRIETARY TO TORQMASTER, INC. THE POSSESSOR AGREES TO MAINTAIN IT IN CONFIDENCE. NOT REPRODUCING OR REVEALING IT IN WHOLE OR IN PART.						B	SCALE	1:2	SHEET	1	OF	1	REV	B