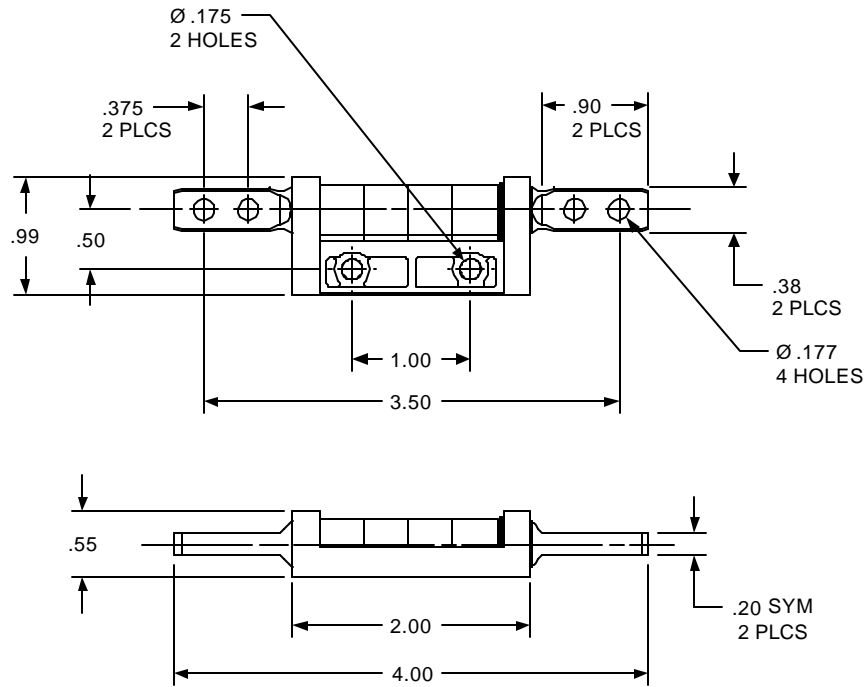
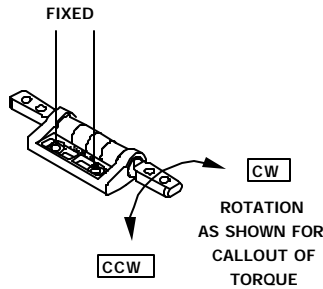


REVISION RECORD				
SYM	DESCRIPTION	BY	DATE	APPD
C	REDRAWN ON NEW FORMAT, NO CHANGES.	RMF	8/30/00	DJC



TORQUE		
GEOMETRY	CW TORQUE	CCW TORQUE
ZE-375-CF-151	20	20
ZE-375-CF-151	30	30
ZE-375-CF-151	40	X
ZE-375-CF-151	X	40

CUSTOM TORQUE CONFIGURATIONS AVAILABLE.
FOR QUOTE:
www.torqmaster.com
1-888-41-HINGE

USED ON	SOLID	REV	TOLERANCES		DRAWN BY	DATE	ENGLISH		Torq Master, Inc. Stamford, CT USA	
STANDARD	151	0.0	ENGLISH	METRIC	RA	5/9/97	MATERIAL		N/A	
NEXT ASSY	NONE		.XX ±.015 in		CHECKED BY	DATE	TITLE			
QUANTITY			.XXX ±.005 in		DJC	5/9/97	HINGE INTERFACE			
PER ASSY, pcs	-		.XXXX ±.0002 in				SIZE	ZE 375 CF 151		REV
TOTAL, pcs	-						B			C
THIS INFORMATION IS PROPRIETARY TO TORQMASTER, INC. THE POSSESSOR AGREES TO MAINTAIN IT IN CONFIDENCE. NOT REPRODUCING OR REVEALING IT IN WHOLE OR IN PART.							SCALE	1:2	SHEET	1 OF 1