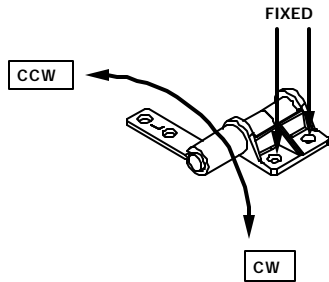
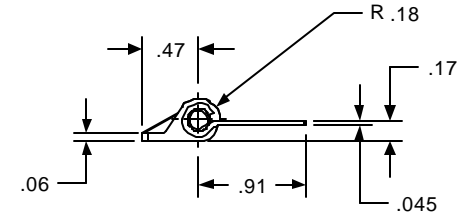
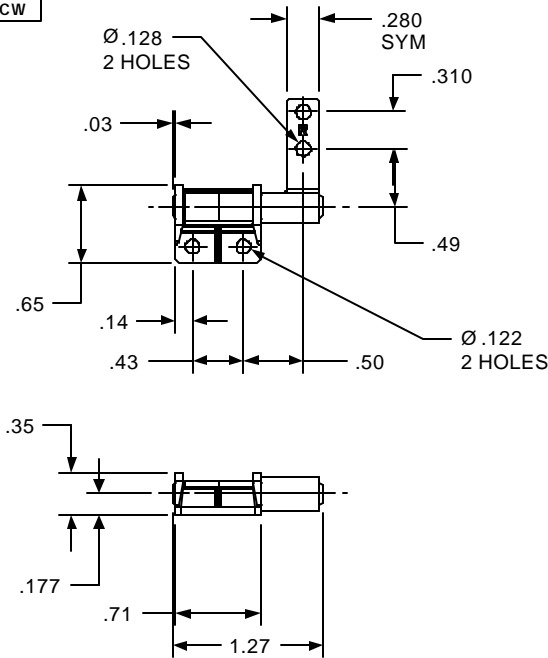
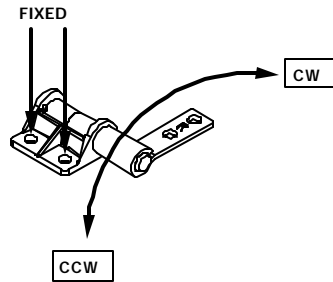


LEFT HAND

RIGHT HAND



ROTATION
AS SHOWN FOR
CALLOUT OF
TORQUE



REVISION RECORD

SYM	DESCRIPTION	BY	DATE	APPD
C	REDRAWN ON NEW FORMAT, NO CHANGES.	RMF	4/20/01	DJC

TORQUE

GEOMETRY	CW TORQUE	CCW TORQUE	HAND
ZE-188-SB-101	-1	-1	-L
ZE-188-SB-101	-1	-1	-R
ZE-188-SB-101	-4	-4	-L
ZE-188-SB-101	-4	-4	-R

CUSTOM TORQUE
CONFIGURATIONS AVAILABLE.
FOR QUOTE:
www.torqmaster.com
1-888-41 HINGE

USED ON	SOLID	REV	TOLERANCES	DESIGNED BY	DATE	ENGLISH		TorqMaster, Inc. Stamford, CT USA	
STANDARD	101	0.0	ENGLISH	RM	4/19/01	MATERIAL		N/A	
NEXT ASSY	NONE		.XX ±.015 in .XXX ±.005 in .XXXX ±.0002 in	CHECKED BY	DATE	TITLE		HINGE INTERFACE	
QUANTITY				DJ	4/09/01	SIZE		ZE 188 SB 101	
PER ASSY, pcs	-			C		SCALE		1:1	
TOTAL, pcs	-					SHEET		1 OF 1	
THIS INFORMATION IS PROPRIETARY TO TORQMASTER, INC. THE POSSESSOR AGREES TO MAINTAIN IT IN CONFIDENCE. NOT REPRODUCING OR REVEALING IT IN WHOLE OR IN PART.						REV		C	