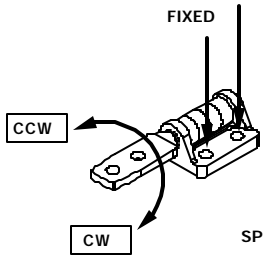
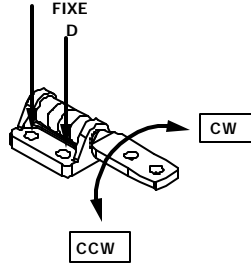


**LEFT HAND**

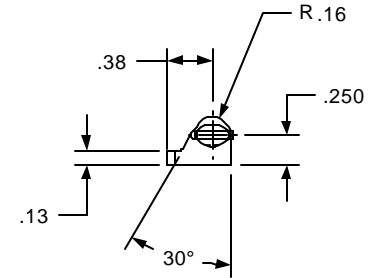
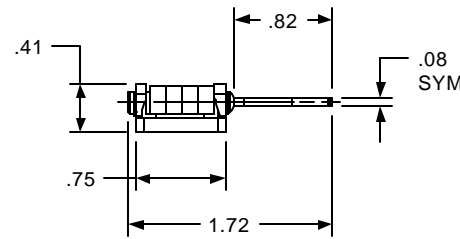
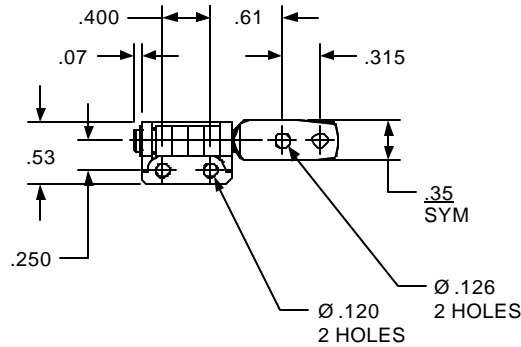


**RIGHT HAND**



ROTATION AS SHOWN FOR SPECIFICATION OF TORQUE

| REVISION RECORD |                                    |     |         |      |
|-----------------|------------------------------------|-----|---------|------|
| SYM             | DESCRIPTION                        | BY  | DATE    | APPD |
| A               | RELEASE FOR SALES ONLY.            | RMF | 8/18/00 | DJC  |
| B               | REDRAWN ON NEW FORMAT, NO CHANGES. | RMF | 4/18/01 | DJC  |



**TORQUE**

| GEOMETRY      | TORQUE    |            | HAND |
|---------------|-----------|------------|------|
|               | CW TORQUE | CCW TORQUE |      |
| ZE-188-CF-114 | -5        | -5         | -L   |
| ZE-188-CF-114 | -5        | -5         | -R   |
| ZE-188-CF-114 | -8        | -8         | -L   |
| ZE-188-CF-114 | -8        | -8         | -R   |

CUSTOM TORQUE CONFIGURATIONS AVAILABLE. FOR QUOTE: [www.torgmaster.com](http://www.torgmaster.com) 1-888-41 HINGE

|   |       |     |   |            |        |   |        |
|---|-------|-----|---|------------|--------|---|--------|
| USED ON   | SOLID | REV | TOLERANCES                                      | DRAWN BY   | DATE   | <b>ENGLISH</b> <i>Torg Master, Inc.</i><br>Stamford, CT USA |        |
| STANDARD  | 114   | 0.0 | ENGLISH   | RA         | 5/9/97 |   |        |
| NEXT ASSY   | NONE  |     | .XX ±.015 in<br>.XXX ±.005 in<br>.XXX ±.0002 in | CHECKED BY | DATE   | MATERIAL  |        |
| QUANTITY  |       |     |   | DJC        | 5/9/97 | N/A   |        |
| PER ASSY, pcs   | -     |     |   |            |        | TITLE   |        |
| TOTAL, pcs  | -     |     |   |            |        | HINGE INTERFACE   |        |
| THIS INFORMATION IS PROPRIETARY TO TORGMASTER, INC. THE POSSESSOR AGREES TO MAINTAIN IT IN CONFIDENCE. NOT REPRODUCING OR REVEALING IT IN WHOLE OR IN PART. |       |     |   |            |        | SIZE  | REV    |
|   |       |     |   |            |        | B   | B      |
|   |       |     |   |            |        | SCALE   | 1:1    |
|   |       |     |   |            |        | SHEET   | 1 OF 1 |