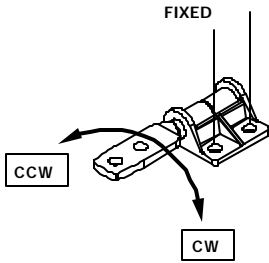
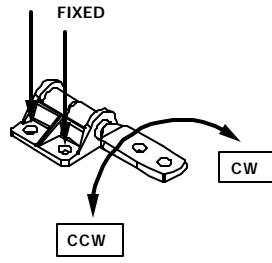


**LEFT HAND**

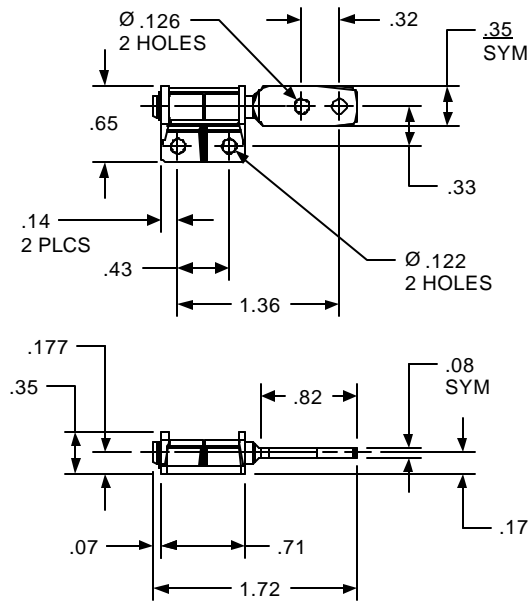


**RIGHT HAND**



ROTATION  
AS SHOWN FOR  
SPECIFICATION OF  
TORQUE  
CW / CCW

REVISION RECORD				
SYM	DESCRIPTION	BY	DATE	APPD
C	REDRAWN ON NEW FORMAT, NO CHANGES.	RMF	8/17/00	DJC



**TORQUE**

GEOMETRY	TORQUE		HAND
	CW TORQUE	CCW TORQUE	
ZE-188-CF-101	-1	-1	-L
ZE-188-CF-101	-1	-1	-R
ZE-188-CF-101	-4	-4	-L
ZE-188-CF-101	-4	-4	-R

CUSTOM TORQUE  
CONFIGURATIONS AVAILABLE.  
FOR QUOTE:  
www.torqmaster.com  
1-888-41 HINGE

USED ON	SOLID	REV	TOLERANCES	DRAWN BY	DATE	<b>ENGLISH</b>	<b>Torg Master, Inc.</b> Stamford, CT USA	
STANDARD	101	0.0	ENGLISH	RA	5/9/97		MATERIAL	N/A
NEXT ASSY	NONE		.XX ±.015 in .XXX ±.005 in XXXX ±.0002 in	CHECKED BY	DATE	TITLE		
<b>QUANTITY</b>				DJC	5/9/97	<b>HINGE INTERFACE</b>		
PER ASSY, pcs	-					SIZE	<b>ZE 188 CF 101</b>	
TOTAL, pcs	-					<b>B</b>		REV <b>C</b>
THIS INFORMATION IS PROPRIETARY TO TORQMASTER, INC. THE POSSESSOR AGREES TO MAINTAIN IT IN CONFIDENCE. NOT REPRODUCING OR REVEALING IT IN WHOLE OR IN PART.						SCALE	1:1	SHEET 1 OF 1