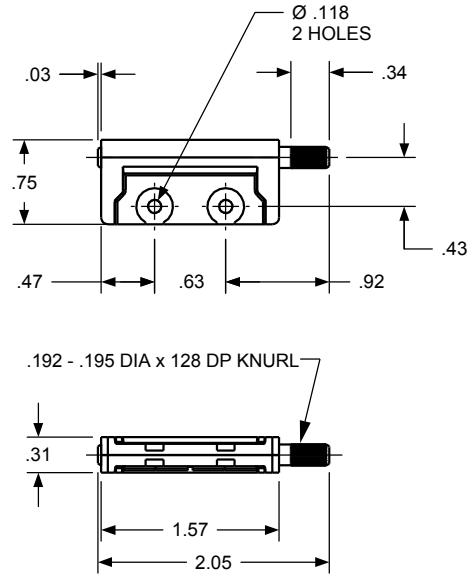


REVISION RECORD				
SYM	DESCRIPTION	BY	DATE	APPD
B	REDRAWN ON NEW FORMAT, NO CHANGES.	RMF	8/17/00	DJC



TORQUE		
GEOMETRY	CW TORQUE	CCW TORQUE
ZC-188-KN-101		
ZC-188-KN-101		
ZC-188-KN-101		
ZC-188-KN-101		

CUSTOM TORQUE CONFIGURATIONS AVAILABLE FOR QUOTE:
www.torqmaster.com
 1-888-41-HINGE

USED ON	SOLID	REV	TOLERANCES		DRAWN BY	DATE	ENGLISH <i>TorqMaster, Inc.</i> Stamford, CT USA	
STANDARD	101	0.0	ENGLISH		RMF	8/17/00	MATERIAL N/A	
NEXT ASSY	NONE		.XX ±.015 in		CHECKED BY	DATE	TITLE	
QUANTITY			.XXX ±.005 in		DJC	8/17/00	HINGE INTERFACE	
PER ASSY, pcs	-		.XXX ±.0002 in				SIZE	REV
TOTAL, pcs	-						B	B
THIS INFORMATION IS PROPRIETARY TO TORQMASTER, INC. THE POSSESSOR AGREES TO MAINTAIN IT IN CONFIDENCE, NOT REPRODUCING OR REVEALING IT IN WHOLE OR IN PART.							SCALE	1:1
							SHEET	1 OF 1