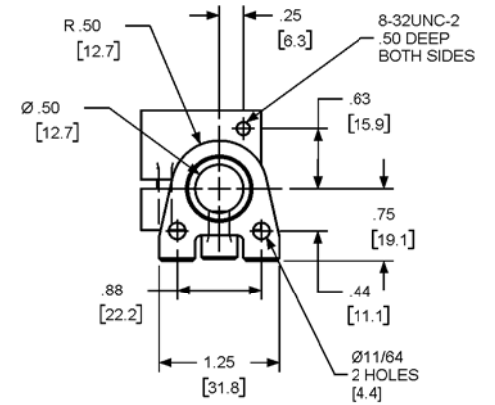
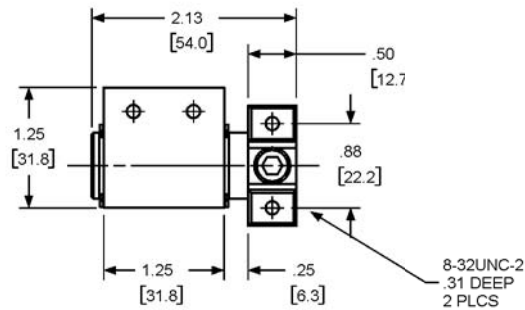
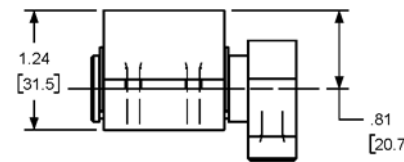
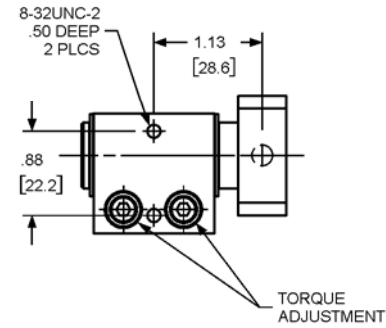
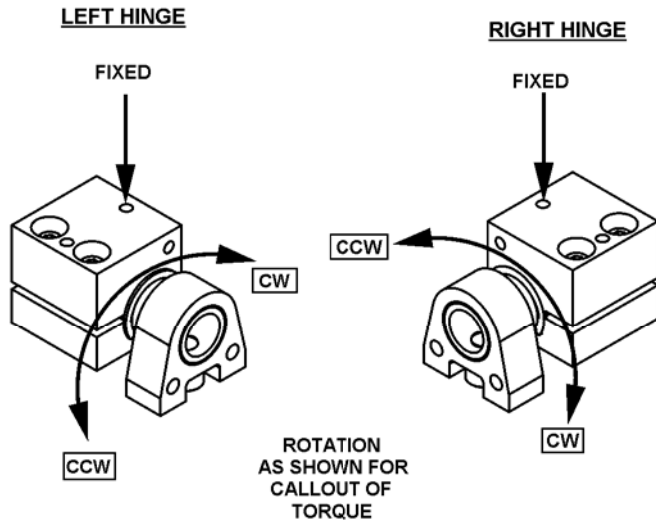


REVISION RECORD				
SYM	DESCRIPTION	BY	DATE	APPD
C	REVISED PER ECN 03097.	RMF	12/17/03	LH



- NOTES:**
- HINGE TYPE: BALANCED.
  - TORQUE ADJUSTABLE RANGE FROM 20 TO 100 lb. in (230 TO 1152 KG. MM.).

USED ON		SOLID	REV	TOLERANCES		ENGLISH / METRIC		TorqMASTER INTERNATIONAL		200 HARVARD AVE STAMFORD, CT, USA	
STANDARD	101	0.0	ENGLISH	METRIC	DRAWN BY	DATE	MATERIAL	N/A			
NEXT ASSY	N/A		XX ± 015 IN XXX ± 005 IN XXXX ± 0020 IN	XX ± 3 MM XX ± 13 MM XXX ± 05 MM	RA	6/3/97	TITLE	HINGE INTERFACE			
QUANTITY			ANGLES ± 0.5° SURFACE 63 μ		CHECKED BY	DATE	SIZE	MA 685 MA 101		REV	C
PER ASSY, PCS	-				DJC		C				
TOTAL, PCS	-						SCALE	1:1		SHEET	1 OF 1

THIS INFORMATION IS PROPRIETARY TO TORQMASTER, INTL.  
THE POSSESSOR AGREES TO MAINTAIN IT IN CONFIDENCE,  
NOT REPRODUCING OR REVEALING IT IN WHOLE OR IN PART.